

Labels Specifications for NG SI 3X IMT – English

1. RM01093-02 Rev.0 Patient Implant Card for NG SI (English)



2. RM01063-02 Rev.0 NG SI IMT 3X File Sticker (English)

Product: IMPLANTABLE MINIATURE TELESCOPE (By Dr. Isaac Lipshitz)
Model: NG SI IMT 3X

Overall diameter: \varnothing 10.8 mm
Optic diameter: \varnothing 3.6 mm
Sagittal distance: 4.4 mm
Magnification: 2.7X

REF PR 00118-00 *+M687PR00XXX001
SN XXXXX-NN /S\$+3YYMMDDXXXXXNN
20YY-MM /16D20YYMMDD1*
20YY-MM-DD

Visioncare Ophthalmic Technologies Ltd.
21 Yegia Kapaim Str. Petach Tikva, 4913020, ISRAEL
Tel: +972-3-9284000, Fax: +972-3-9225464, en.centrasight.com

RM01063-02 Rev.0

- RM01092-02 Assembled Patient Implant Card for NG SI (English)

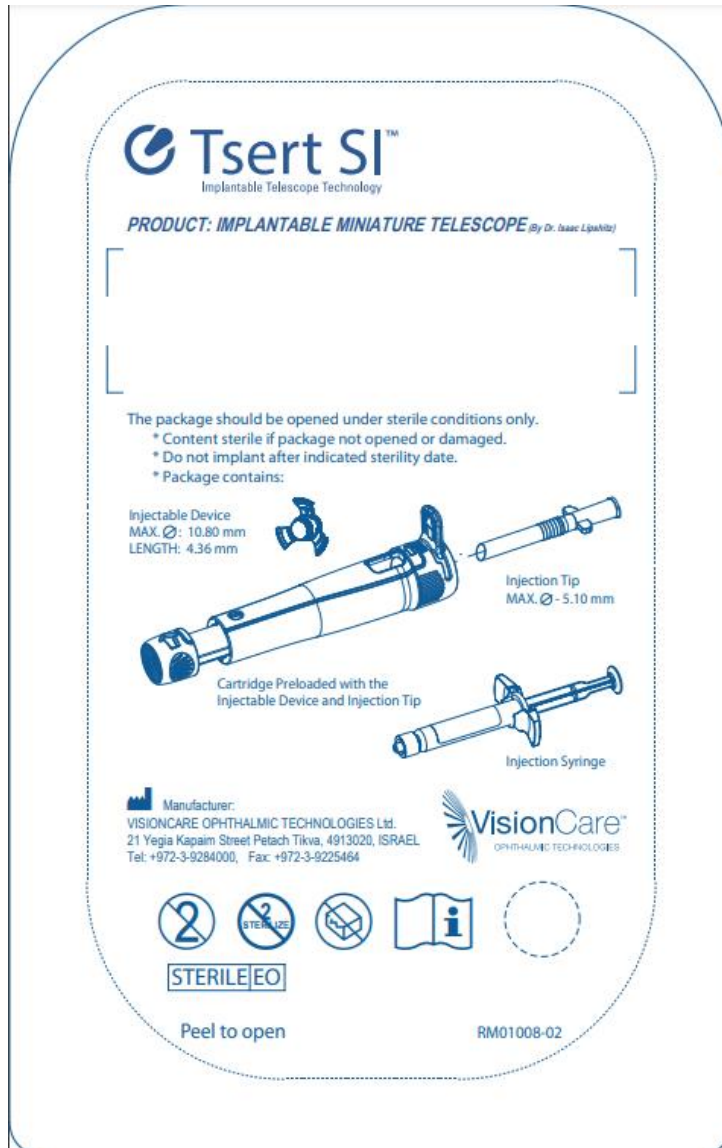
ITEM NO.	Catalog number	DESCRIPTION	QTY.
1	RM01093-02	Patient Implant Card for NG SI (English)	1
2	RM01063-02	NG SI File Sticker 76.2mm x25.4mm	1



①

②

3. RM01008-02 Rev.2 NG SI IMT 3X Tyvek Lid (English)



4. RM01057-02 Rev.1 NG-SI Tyvek Label 92mm x 25mm (English)

RM01057-02



Model: NG SI IMT 3X

SN XXXXX-NN

Magnification: 2.7X

20YY-MM-DD

REF PR XXXXX-00

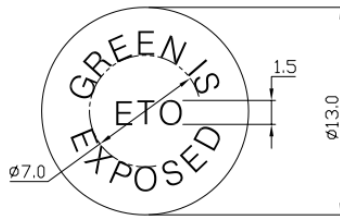
20YY-MM

+M687PR00XXX001/\$\$+3YYMMDDXXXXNN/16D20YYMMDD1

5. RM01041-02 Rev 02 NG-Si Round SN Sticker



6. RM00019-02 STERILIZATION STICKER



7. RM00976-02 Rev.4 Syringe Label for NG SI IMT 3X (English)



8. RM01063-02 Rev.0 NG SI IMT 3X File Sticker (English)

Product: IMPLANTABLE MINIATURE TELESCOPE (By Dr. Isaac Lipshitz)

Model: NG SI IMT 3X

Overall diameter: \varnothing_1 10.8 mm

Optic diameter: \varnothing_B 3.6 mm

Sagittal distance: 4.4 mm

Magnification: 2.7X

REF	PR 00118-00	*+M687PR00XXX001
SN	XXXXX-NN	/\$\$+3YYMMDDXXXXXNN
	20YY-MM	/16D20YYMMDD1*
	20YY-MM-DD	

 Visioncare Ophthalmic Technologies Ltd.
21 Yegia Kapaim Str. Petach Tikva, 4913020, ISRAEL
Tel: +972-3-9284000, Fax: +972-3-9225464, en.centrasight.com



RM01063-02 Rev.0

9. RM01016-02 Rev.2 Product detail sticker on WA-Si and NG-Si Carton Box

Model : NG Si 3X  XXXXX-NN

Magnification: 2.7X  20YY-MM-DD


M057PR00XXX001/55+3YYMMDDXXXXX#N/16D20YYMMDD1

Model : NG Si 3X 

Magnification: 2.7X

Overall diameter: \varnothing 10.80mm

Length: 4.36mm

Use by:  20YY-MM-DD

 0483  PR000XXX-00

 **Manufacturer:**
VISIONCARE OPHTHALMIC TECHNOLOGIES Ltd.
21 Yegia Kapaim Street Petach Tikva, 49130, ISRAEL
Tel: +972-3-9284000, Fax: +972-3-9225464

RM01016-02

10. RM01038-02 Rev.2 NG-Si Model Detail Sticker (on Single Shipping Package)-English

 IMPLANTABLE TELESCOPE
TECHNOLOGY

IMPLANTABLE MINIATURE TELESCOPE (By Dr. Isaac Lipshtz)

Model: NG Si 3X

 : PR001XX-00  20YY-MM-DD  20YY-MM

 : XXXXX-NN

\varnothing T : 10.8mm \varnothing Optic : 3.6mm  0483

Length : 4.36mm \varnothing Injector: 5.05mm


M057PR00XXX001/55+3YYMMDDXXXXX#N/16D20YYMMDD1

RM01038-02

11. RM01012-01 Rev.0 NG SI IMT 3X Carton Box graphics English labeled

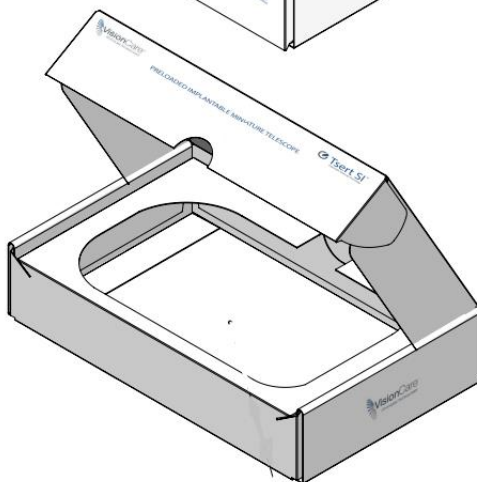
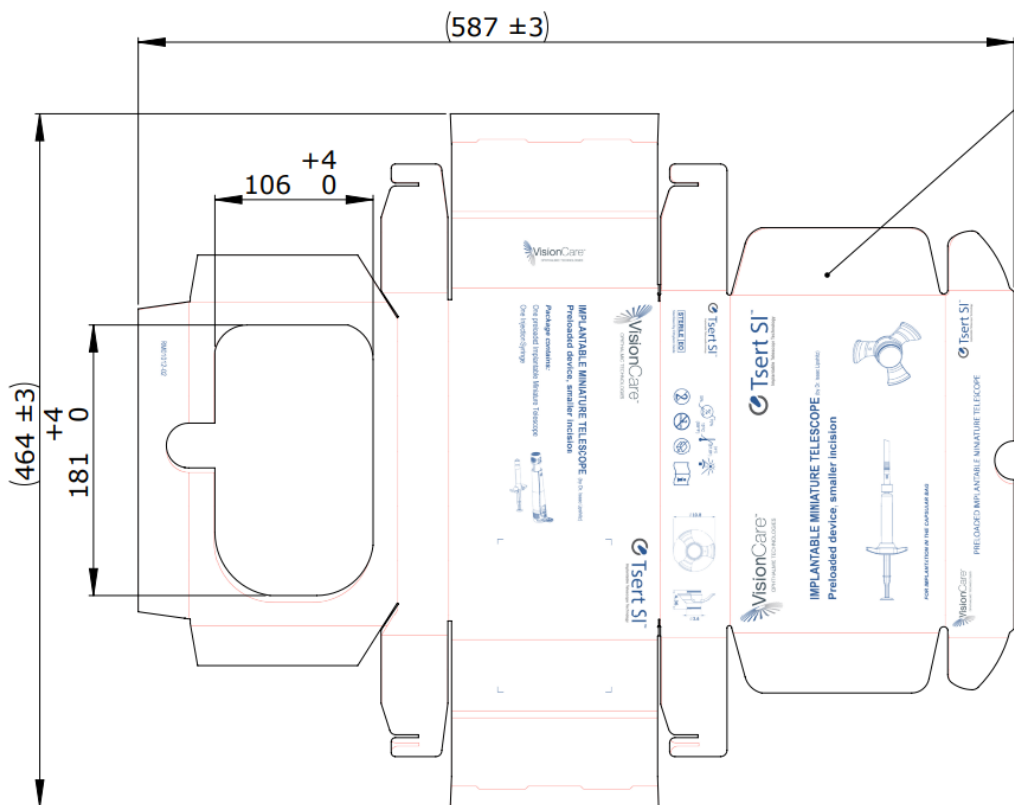
- Size of carton : 466*587 mm \pm 3 mm
- Outer Surface: 1. White Glossy Lamination. 2. Printing according to attached graphic file.
- Inner Surface: 1. White matt finish

SOP

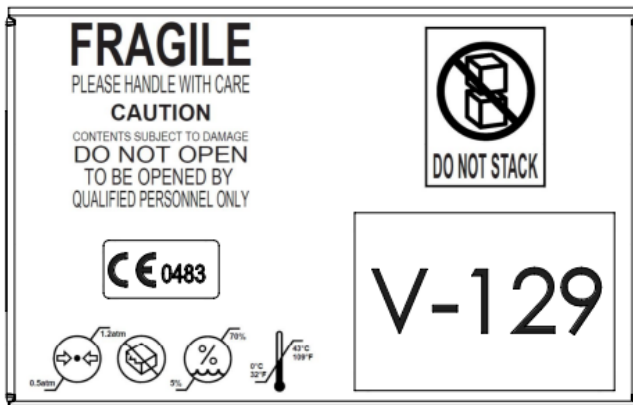
Title: Labels Specifications for NG SI 3X IMT – English

Reference code: 100120008

Revision.0



12. RM01034-02 Shipping Container for Single Unit Si Product



13. RM01045-02 Do Not Freeze Sticker

