

C30 Microturbine

Renewable Fuels



Achieve ultra-low emissions and reliable electrical generation from waste gas.

- + Ultra-low emissions
- + Accepts sour gas fuels with up to 5,000 ppm H₂S
- + One moving part – minimal maintenance and downtime
- + Patented air bearings – no lubricating oil or coolant
- + Integrated utility synchronization – no external switchgear⁽¹⁾
- + Compact modular design allows for easy, low-cost installation
- + Multiple units easily combined – act as single generating source
- + Remote monitoring and diagnostic capabilities
- + Proven technology with tens of millions of operating hours



C30 Microturbine

Electrical Performance⁽²⁾

Electrical Power Output	30 kW
Voltage	400/480 VAC
Electrical Service	3-Phase, 4 Wire Wye
Frequency	50/60 Hz
Electrical Efficiency LHV	26%

Fuel/Engine Characteristics⁽²⁾

Gaseous Fuel HHV	13.0–32.6 MJ/m ³ (350–875 BTU/scf)
H ₂ S Content	< 5,000 ppmv
Inlet Pressure	
Landfill Gas	448-482 kPa gauge (65-70 psig)
Digester Gas	414-448 kPa gauge (60-65 psig)
Fuel Flow HHV	457 MJ/hr (433,000 BTU/hr)
Net Heat Rate LHV	13.8 MJ/kWh (13,100 BTU/kWh)

Exhaust Characteristics⁽²⁾

NO _x Emissions @ 15% O ₂	< 9 ppmvd (18 mg/m ³)
Exhaust Mass Flow	0.31 kg/s (0.69 lbm/s)
Exhaust Gas Temperature	275°C (530°F)

Dimensions & Weight⁽³⁾

Width x Depth x Height	0.76 x 1.52 x 1.96 m (30 x 60 x 77 in)
Weight	405 kg (891 lb)

Minimum Clearance Requirements⁽⁴⁾

Horizontal Clearance	
Left & Right	0.76 m (30 in)
Front	0.93 m (37 in)
Rear	0.90 m (35 in)

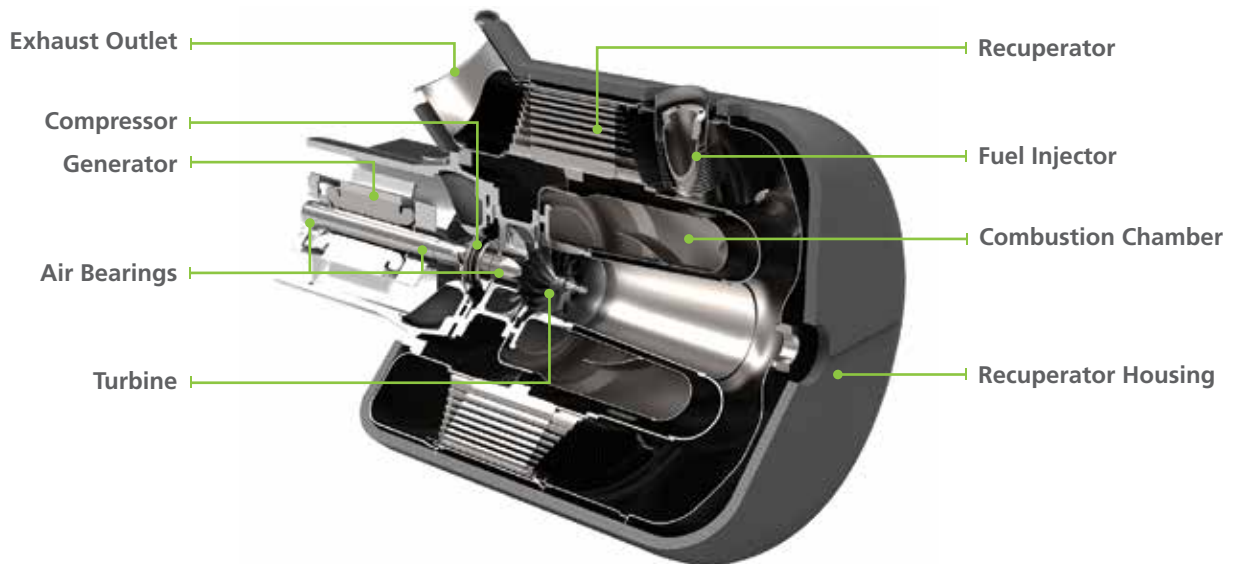
Acoustic Emissions

Nominal at Full Power at 10 m (33 ft)	65 dBA
---------------------------------------	--------

Certifications

<ul style="list-style-type: none">UL 2200 ListedCE Certified

C30 Engine Components



(1) Some utilities may require additional equipment for grid interconnectivity
(2) Nominal full power performance at ISO conditions: 15°C (59°F), 14.696 psia, 60% RH
(3) Approximate dimensions and weights
(4) Clearance requirements may increase due to local code considerations
Specifications are not warranted and are subject to change without notice.