

C30 Microturbine

High Pressure Propane Gas



Achieve ultra-low emissions and reliable electrical generation from liquified petroleum gas

- + Ultra-low emissions
- + One moving part – minimal maintenance and downtime
- + Patented air bearings – no lubricating oil or coolant
- + Integrated utility synchronization – no external switchgear⁽¹⁾
- + Compact modular design allows for easy, low-cost installation
- + Multiple units easily combined – act as single generating source
- + Remote monitoring and diagnostic capabilities
- + Proven technology with tens of millions of operating hours



C30 Microturbine

Electrical Performance⁽²⁾

Electrical Power Output	30kW
Voltage	400/480 VAC
Electrical Service	3-Phase, 4 Wire Wye
Frequency	50/60 Hz
Electrical Efficiency LHV	26%

Fuel/Engine Characteristics⁽²⁾

Propane Gas HHV	91.3–95.0 MJ/m ³ (2,450–2,550 BTU/scf)
Inlet Pressure	310–345 kPa gauge (45–50 psig)
Fuel Flow HHV	457 MJ/hr (433,000 BTU/hr)
Net Heat Rate LHV	13.8 MJ/kWh (13,100 BTU/kWh)

Exhaust Characteristics⁽²⁾

Exhaust Mass Flow	0.31 kg/s (0.69 lbm/s)
Exhaust Gas Temperature	275°C (530°F)

Dimensions & Weight⁽³⁾

Width x Depth x Height	0.76 x 1.52 x 1.96 m (30 x 60 x 77 in)
Weight - Grid Connect Model	405 kg (891 lb)
Weight - Dual Mode Model	578 kg (1,271 lb)

Minimum Clearance Requirements⁽⁴⁾

Horizontal Clearance	
Left & Right	0.76 m (30 in)
Front	0.93 m (37 in)
Rear	0.90 m (35 in)

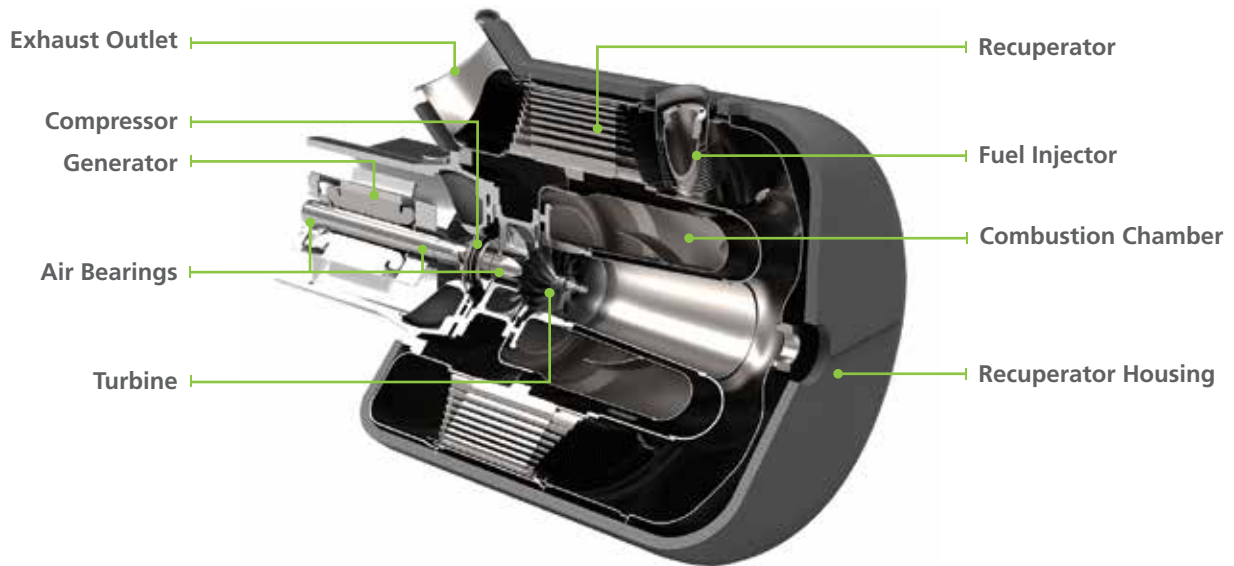
Acoustic Emissions

Nominal at Full Power at 10 m (33 ft)	65 dBA
---------------------------------------	--------

Certifications

- UL 2200 Listed
- CE Certified

C30 Engine Components



(1) Some utilities may require additional equipment for grid interconnectivity
 (2) Nominal full power performance at ISO conditions: 15°C (59°F), 14.696 psia, 60% RH
 (3) Approximate dimensions and weights
 (4) Clearance requirements may increase due to local code considerations
Specifications are not warranted and are subject to change without notice.

