

C65 Microturbine

Liquid Petroleum Gas (LPG), ICHP

Achieve ultra-low emissions and reliable electrical/thermal generation from LPG.



C65 ICHP Microturbine

Electrical Performance⁽¹⁾

Electrical Power Output	65kW
Voltage	400/480 VAC
Electrical Service	3-Phase, 4 Wire Wye
Frequency	50/60 Hz
Electrical Efficiency LHV	28%

Fuel/Engine Characteristics⁽¹⁾

Liquid Petroleum Gas HHV	91.3–128.0 MJ/m ³ (2,450–3,436 BTU/scf)
Inlet Pressure	448–482 kPa gauge (65–70 psig)
Fuel Flow HHV	919 MJ/hr (871,000 BTU/hr)
Net Heat Rate LHV	12.9 MJ/kWh (12,200 BTU/kWh)

Exhaust Characteristics⁽¹⁾

Exhaust Mass Flow	0.49 kg/s (1.08 lbm/s)
Exhaust Gas Temperature	329°C (625°F) (Heat Recovery Bypassed)

Benefits

- Ultra-low emissions
- One moving part – minimal maintenance and downtime
- Patented air bearings – no lubricating oil or coolant
- Integrated utility synchronization – no external switchgear
- Compact modular design allows for easy, low-cost installation
- Multiple units easily combined – act as single generating source
- Remote monitoring and diagnostic capabilities
- Proven technology with tens of millions of operating hours
- Various Factory Protection Plans available

**Smarter Energy
for a Cleaner Future**

Dimensions & Weight⁽²⁾

Width x Depth x Height	0.76 x 2.20 x 2.53 m (30 x 87 x 100 in)
Weight - Grid Connect Model, dry	998 kg (2,200 lb)
Weight - Dual Mode Model, dry	1,364 kg (3,000 lb)

Minimum Clearance Requirements⁽³⁾

Horizontal Clearance	
Left & Right	0.76 m (30 in)
Front - Grid Connect Model	0.76 m (30 in)
Front - Dual Mode Model	1.65 m (65 in)
Rear	0.76 m (30 in)

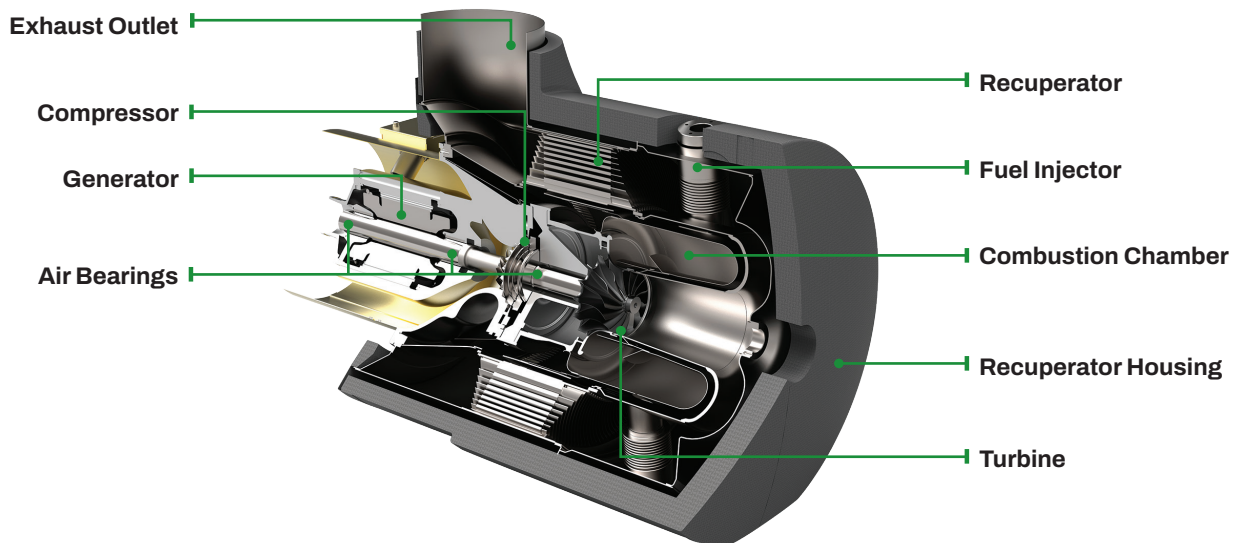
ICHP Heat Recovery⁽⁴⁾

Integrated Heat Recovery Module Type	Copper Core
Hot Water Heat Recovery	132kW (0.45 MMBTU/hr)

Acoustic Emissions

Nominal at Full Power at 10 m (33 ft)	65 dBA
---------------------------------------	--------

C65 Engine Components



(1) Nominal full power performance at ISO conditions: 15°C (59°F), 14.696 psia, 60% RH

(2) Approximate dimensions and weights

(3) Clearance requirements may increase due to local code considerations

(4) Nominal heat recovery for water inlet temperature of 60°C (140°F) and flow rate of 2.5 l/s (40 GPM)

Specifications are not warranted and are subject to change without notice.

Certifications

- CE Certified
- Certified to the following grid interconnections standards:
 - UL 1741-SA, VDE, BDEW, CEI 0-16, AS4777
- Compliant to California Rule 21