

C1000S Microturbine

Landfill Gas

The Signature Series Microturbine provides 1MW of reliable electrical power in one small, ultra-low emission, and highly efficient package.



C1000S Power Package

Benefits

- Ultra-low emissions
- Accepts sour gas fuels with up to 5,000 ppm H₂S
- One moving part – minimal maintenance and downtime
- Patented air bearings – no lubricating oil or coolant
- Integrated utility synchronization – no external switchgear
- Compact modular design allows for easy, low-cost installation
- High electrical efficiency over a very wide operating range
- High availability – part load redundancy
- Remote monitoring and diagnostic capabilities
- Proven technology with tens of millions of operating hours
- Various Factory Protection Plans available

Electrical Performance⁽¹⁾

Electrical Power Output	1000kW
Voltage	400/480 VAC
Electrical Service	3-Phase, 4 Wire Wye
Frequency	50/60 Hz
Electrical Efficiency LHV	33%

Fuel/Engine Characteristics⁽¹⁾

Landfill Gas HHV	13.0–22.4 MJ/m ³ (350–600 BTU/scf)
H ₂ S Content	< 5,000 ppmv
Inlet Pressure	517–551 kPa gauge (75–80 psig)
Fuel Flow HHV	12,000 MJ/hr (11,400,000 BTU/hr)
Net Heat Rate LHV	10.9 MJ/kWh (10,300 BTU/kWh)

Exhaust Characteristics⁽¹⁾

NO _x Emissions @ 15% O ₂	< 9 ppmvd (18 mg/m ³)
Exhaust Mass Flow	6.7 kg/s (14.7 lbm/s)
Exhaust Gas Temperature	280°C (535°F)

**Smarter Energy
for a Cleaner Future**

Dimensions & Weight⁽²⁾

Width x Depth x Height	3.0 x 9.1 x 3.0 m (117 x 360 x 119 in)
Weight - Grid Connect Model	17,100 kg (37,700 lbs)

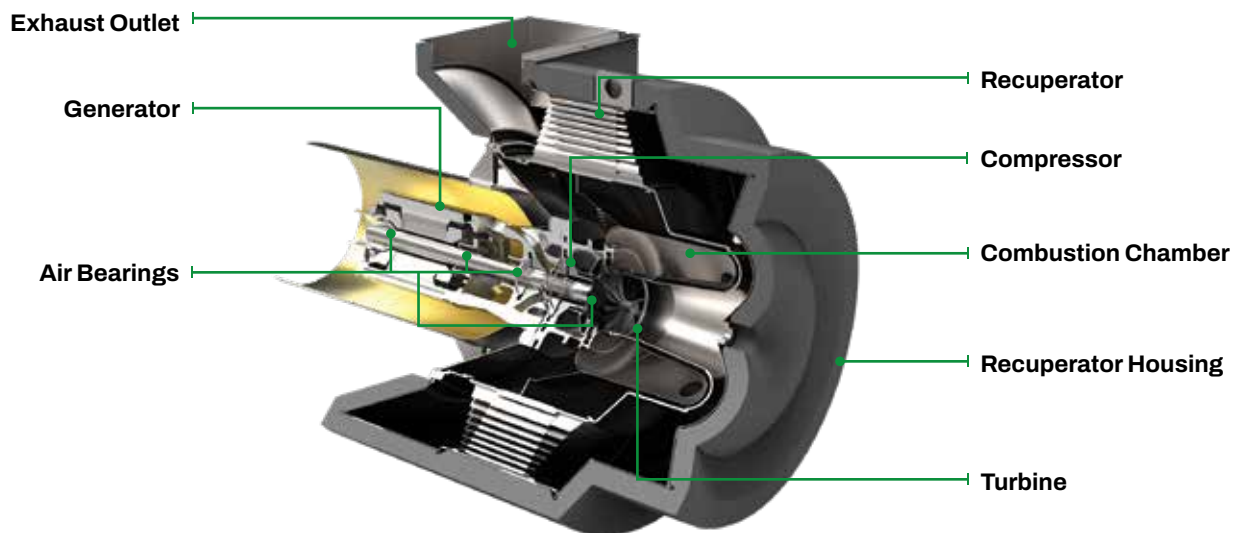
Minimum Clearance Requirements⁽³⁾

Horizontal Clearance	
Left	1.5 m (60 in)
Right	0.0 m (0 in)
Front	1.7 m (65 in)
Rear	2.2 m (85 in)

Certifications

- UL 2200 Listed
- CE Certified
- Certified to the following grid interconnections standards: UL 1741-SA, VDE, BDEW, CEI 0-16, and AS4447
- Compliant to California Rule 21

C200 Engine Components



(1) Nominal full power performance at ISO conditions: 15°C (59°F), 14.696 psia, 60% RH

(2) Approximate dimensions and weights

(3) Clearance requirements may increase due to local code considerations

Specifications are not warranted and are subject to change without notice.