

# C600S Power Package

High-pressure Natural Gas



The Signature Series Microturbine provides 600kW of reliable electrical power in one small, ultra-low emission, and highly efficient package.

- + Ultra-low emissions
- + One moving part – minimal maintenance and downtime
- + Patented air bearings – no lubricating oil or coolant
- + Integrated utility synchronization – no external switchgear
- + Compact modular design allows for easy, low-cost installation
- + High electrical efficiency over a very wide operating range
- + High availability – part load redundancy
- + Remote monitoring and diagnostic capabilities
- + Proven technology with tens of millions of operating hours
- + Various Factory Protection Plans available



C600S Power Package

## Electrical Performance<sup>(1)</sup>

|                           |                     |
|---------------------------|---------------------|
| Electrical Power Output   | 600kW               |
| Voltage                   | 400/480 VAC         |
| Electrical Service        | 3-Phase, 4 Wire Wye |
| Frequency                 | 50/60 Hz            |
| Electrical Efficiency LHV | 33%                 |

## Fuel/Engine Characteristics<sup>(1)</sup>

|                   |   |
|-------------------|---|
| Natural Gas HHV   | 30.7–47.5 MJ/m <sup>3</sup> (825–1,275 BTU/scf) |
| Inlet Pressure    | 517–551 kPa gauge (75–80 psig)                  |
| Fuel Flow HHV     | 7,200 MJ/hr (6,840,000 BTU/hr)                  |
| Net Heat Rate LHV | 10.9 MJ/kWh (10,300 BTU/kWh)                    |

## Exhaust Characteristics<sup>(1)</sup>

|  |                                   |
|--|-----------------------------------|
| NO <sub>x</sub> Emissions @ 15% O <sub>2</sub> | < 9 ppmvd (18 mg/m <sup>3</sup> ) |
| Exhaust Mass Flow                              | 4.0 kg/s (8.8 lbm/s)              |
| Exhaust Gas Temperature                        | 280°C (535°F)                     |

## Dimensions & Weight<sup>(2)</sup>

|                                       |  |
|---------------------------------------|--|
| Width x Depth x Height <sup>(3)</sup> | 3.0 x 5.8 x 2.9 m (117 x 230 x 114 in) |
| Weight - Grid Connect Model           | 11,250 kg (24,800 lbs)                 |
| Weight - Dual Mode Model              | 13,350 kg (29,400 lbs)                 |

Reliable power when and where you need it. Clean and simple.

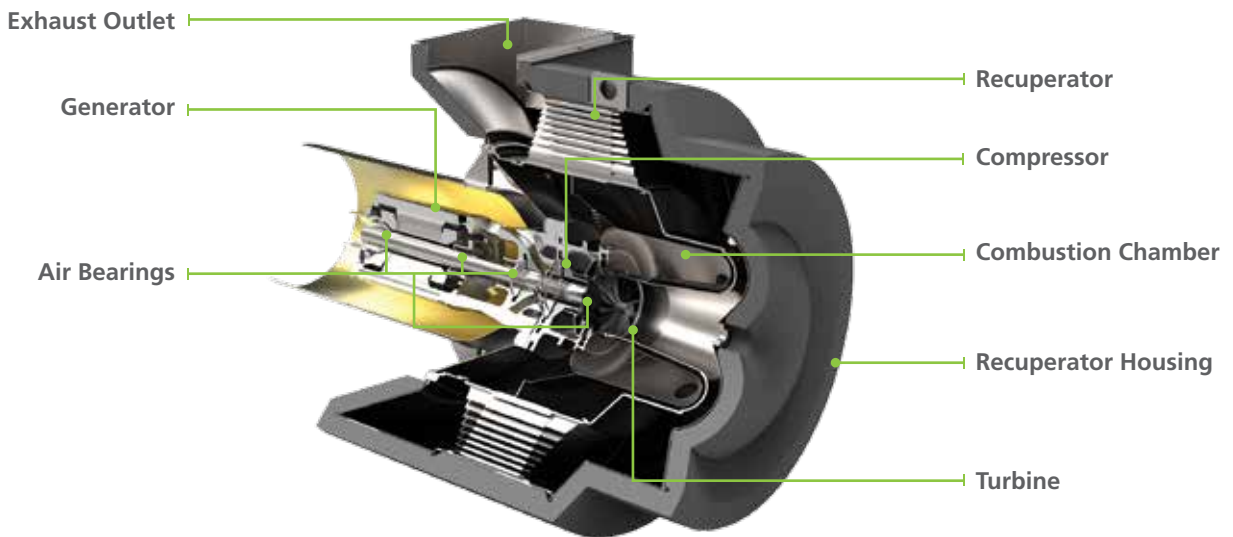
## Minimum Clearance Requirements<sup>(4)</sup>

| Horizontal Clearance |               |
|----------------------|---------------|
| Left                 | 1.5 m (60 in) |
| Right                | 0.0 m (0 in)  |
| Front                | 1.7 m (65 in) |
| Rear                 | 2.0 m (80 in) |

## Certifications

- UL 2200 Listed
- CE Certified
- Certified to the following grid interconnection standards: UL 1741, VDE, BDEW and CEI 0-16
- Compliant to California Rule 21

## C200 Engine Components



(1) Nominal full power performance at ISO conditions: 15°C (59°F), 14.696 psia, 60% RH  
 (2) Approximate dimensions and weights  
 (3) Height dimensions are to the roofline. Exhaust outlet extends at least 127 mm (5 in) above the roofline  
 (4) Clearance requirements may increase due to local code considerations  
 Specifications are not warranted and are subject to change without notice.

