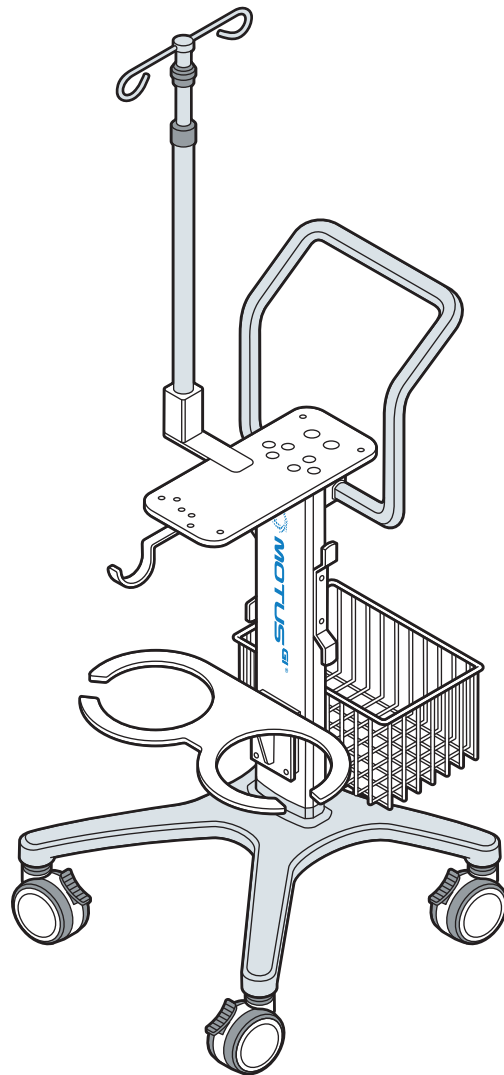


Endoscopy Cart Instructions For Use



Motus GI Medical Technologies LTD.
Address: Keren Hayesod 22,
Tirat Carmel, ZIP 3902638, Israel
Tel: +972.73.2627757
Fax: +972.4.6214442

Motus GI Holdings, Inc.
Address: 1301 E. Broward Blvd.
Suite 310
Fort Lauderdale, FL 33301 US
Tel: 1.844.PUREVU1 (787.3881)
Fax: 1.954.541.8265

EC	REP
----	-----

OBELIS S.A
Address: Bd. Général Wahis, 53,
1030 Brussels, Belgium
Tel: +32.2.732.59.54
Fax: +32.2.732.60.03
E-mail: mail@obelis.net
www.obelis.net

CONTENTS

- 1.0 WARNINGS AND CAUTIONS** 3
 - 1.1. Symbols Used 4
- 2.0 INTENDED USE** 4
- 3.0 PRODUCT DESCRIPTION** 4
 - 3.1. Endoscopy Cart Components 4
 - 3.2. Accessories for Use with the Endoscopy Cart 4
- 4.0 USING THE ENDOSCOPY CART** 5
 - 4.1. Twin Wheel Swivel Casters 5
 - 4.2. Waste Container Bracket and Inserts 6
 - 4.3. IV Pole 7
 - 4.4. Utility Basket 8
 - 4.5. Transport Handle 9
 - 4.6. Accessory Hook 9
- 5.0 CLEANING THE ENDOSCOPY CART** 10
- 6.0 MAINTENANCE & STORAGE** 10
 - 6.1. Inspection..... 10
 - 6.2. Storage..... 10
- 7.0 TECHNICAL SPECIFICATIONS**..... 11

1. WARNINGS AND CAUTIONS

Please read this manual and follow its instructions carefully.

WARNINGS:







- This device shall only be used by order of a licensed physician as governed by the FDA.
- The Endoscopy Cart shall only be used according to the instruction and operating conditions described in this manual. Failure to do so could result in compromised safety, equipment malfunction or damage.
- The Endoscopy Cart shall be used only by trained medical personnel. Do not use for any purpose other than the intended application.
- The Endoscopy Cart is reusable and shall be thoroughly cleaned prior to use.
- For optimal function, the Endoscopy Cart should only be used with recommended medical accessories and supplies.
- Check and confirm that all casters, waste container inserts, basket, accessory hook, handle, center pole, cord wrap, center plate and telescoping IV pole are connected correctly and securely.
- Monitor the Endoscopy Cart for any signs of irregularity.
- The Endoscopy Cart shall never be stored in areas where the unit could be exposed to moisture, temperature extremes, humidity, direct sunlight, dust, salt, which could adversely affect the equipment.
- The Endoscopy Cart shall never be used or transported in an inclined position nor should it be subjected to impact.
- To prevent user or patient cross contamination, do not place contaminated equipment, accessories or supplies on the Endoscopy Cart or any of its components.

CAUTION:

- Do not exceed the load capacity detailed in section 7.0 TECHNICAL SPECIFICATIONS; exceeding the load capacity may compromise stability.
- Do not lean or stand on any part of the Endoscopy Cart or accessory as failure of the product may result.
- Refer all servicing needs to Motus GI personnel. Only Motus GI personnel or a trained designee should service the Endoscopy Cart.
- Avoid contact of the caster wheels with debris and buildup of floor cleaning wax and polish as these may impair the effectiveness of the casters.
- Store and use the Endoscopy Cart within the environmental conditions described in Section 6.2 Storage; failure to do so may lead to equipment damage or malfunction.
- Ensure that the fluid and waste containers are removed before moving the Endoscopy Cart from the procedure room.
- To minimize the risk of damage, use accessories recommended in Section 3.2 Accessories for Use with the Endoscopy Cart.
- The maximum load for the IV pole hook is one (1) 3 L irrigation bag per hook.
- Check all equipment connectors on a regular basis to ensure there are no loose connections.

1.1. Symbols Used

For a definition of individual symbols, see table below:

SYMBOL	DESCRIPTION
	SERIAL NUMBER
	AUTHORIZED REPRESENTATIVE IN THE EUROPEAN COMMUNITY
	MANUFACTURER
	DATE OF MANUFACTURE
	MAXIMUM LOAD CAPACITY
	PRODUCT CODE

2.0 INTENDED USE

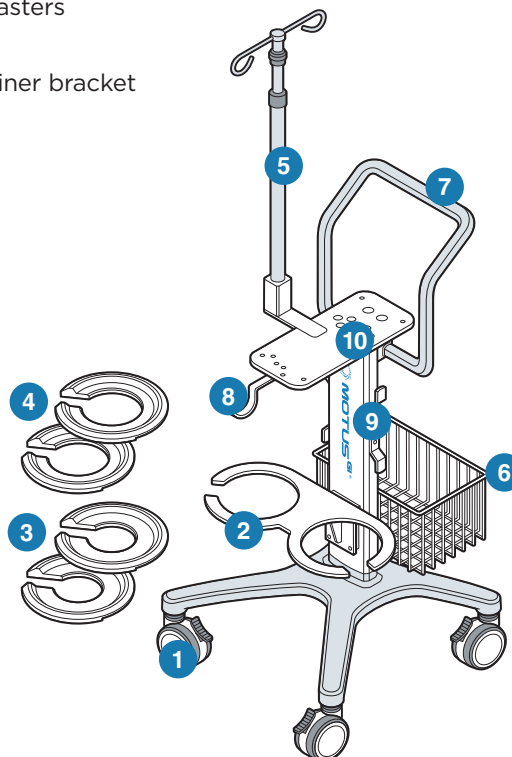
The Endoscopy Cart is intended for use in medical facilities under the direction of trained medical personnel and has been designed to be used with the Pure-Vu® System to help facilitate GI endoscopic procedures. Do not use the equipment for any purpose other than its intended application.

3.0 PRODUCT DESCRIPTION

The Endoscopy Cart is reusable and enables easy use, storage and transport of the Pure-Vu® System.

3.1 Endoscopy Cart Components

- 1 Four (4) twin wheel, braked, swivel rolling casters
- 2 One (1) 165mm ID (6.5 in) fixed waste container bracket
- 3 Two (2) 108mm ID (4.25 in) bracket inserts
- 4 Two (2) 125mm ID (4.92 in) bracket inserts
- 5 One (1) telescoping IV pole
- 6 One (1) utility basket
- 7 One (1) transport handle
- 8 One (1) accessory hook
- 9 Two (2) dual cord wraps
- 10 One (1) support deck



3.2 Accessories for Use with the Endoscopy Cart

The following accessories are recommended for use with the Endoscopy Cart:

MANUFACTURER	REFERENCE CODE	DESCRIPTION
Cardinal Health	65651-530	CRD disposable liner 3000cc
Cardinal Health	65652-531	Wall to outer edge canister (10 ¾ in.) 3000cc

4.0 USING THE CART

4.1 Twin Wheel Swivel Casters

The Endoscopy Cart has four (4) swivel, twin wheel, braked casters. Ensure all brakes are applied when the Endoscopy Cart is stationary. Ensure all brakes are released prior to moving the Endoscopy Cart. To release and apply the brakes complete the following steps:

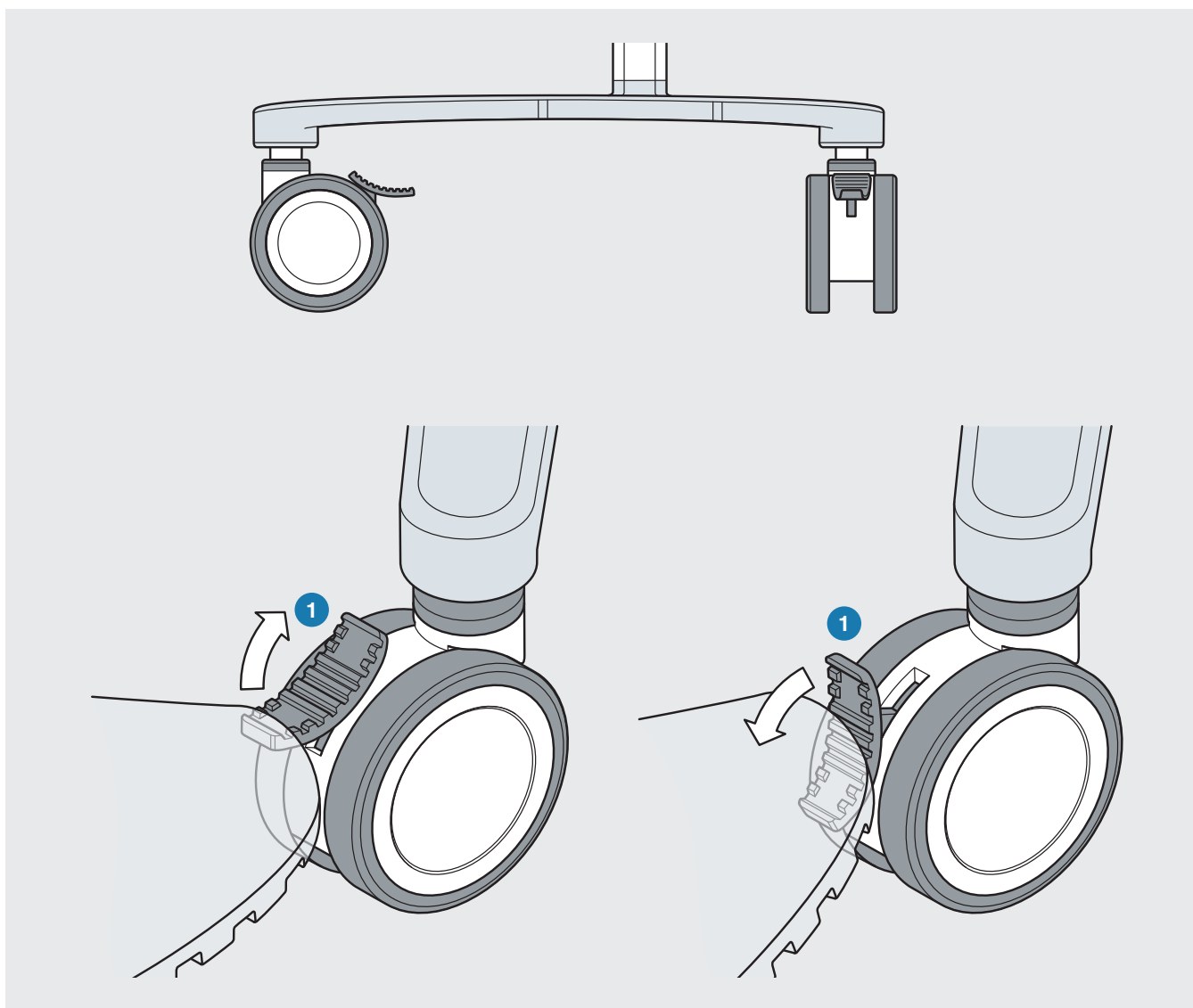


FIGURE 1: Release the brake (1) by advancing the brake into the up, free position. Lock the brake (1) by placing the brake in the down, lock position.

4.2 Waste Container Bracket and Inserts

The Endoscopy Cart contains one (1) fixed waste container bracket and two (2) insert sets to accommodate various container configurations and volumes. Match the compatible bracket or inserts to the selected containers prior to procedure. To attach the waste containers and inserts complete the following steps:

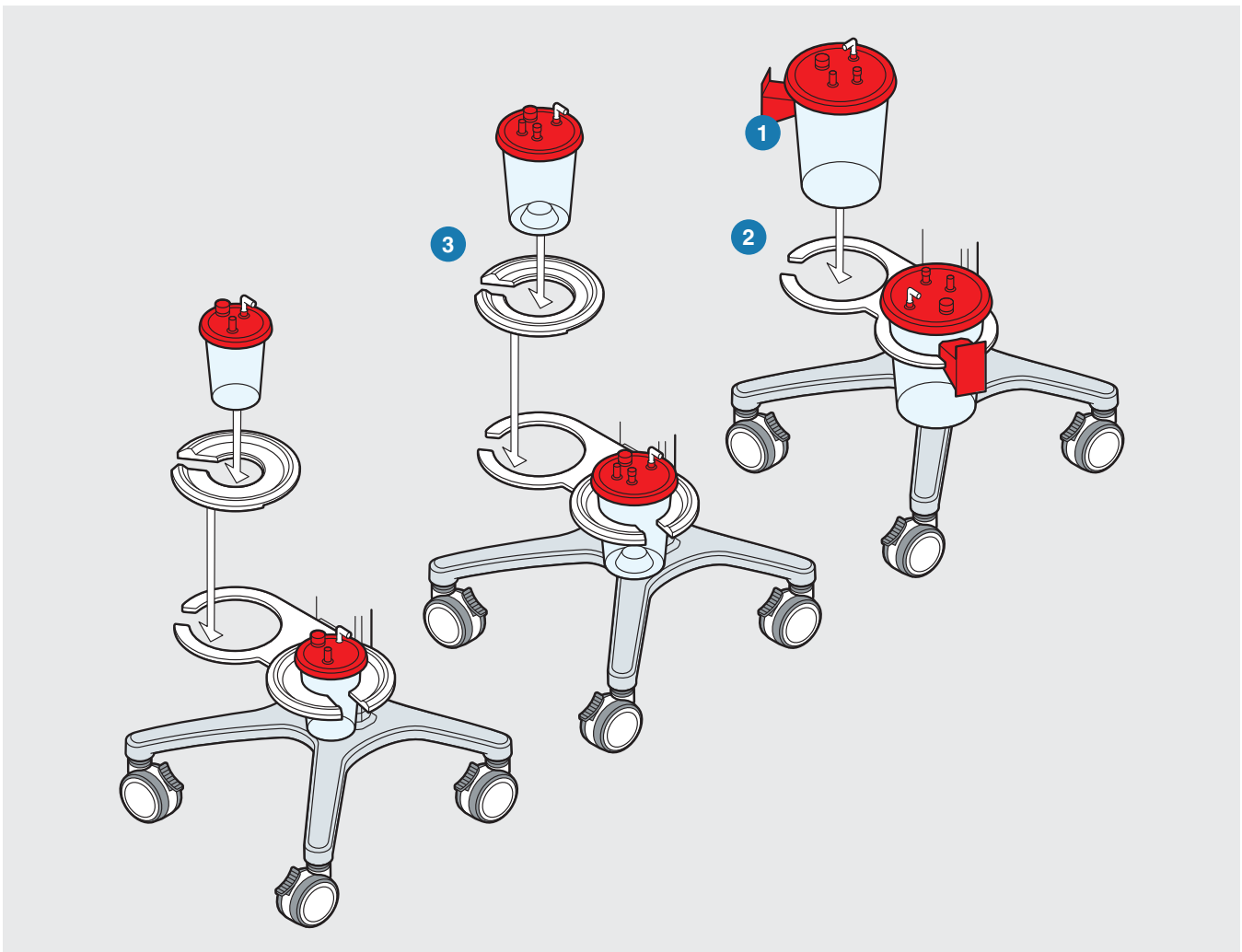


FIGURE 2: Slide the waste container (1) into the bracket (2) until the container rests securely within the bracket. If an insert (3) is required, attach by aligning the insert in the bracket until an audible click is heard (corresponds with the bracket opening) and indicates a secure fit. Slide the container into the insert until the container rests securely within the insert frame. Ensure both the waste containers and inserts seat securely prior to procedure.

4.3 IV Pole

The IV pole contains two hooks for suspension of irrigation bags and incorporates a base rod and an internal rod that allows for height adjustment. To adjust the height complete the following steps:

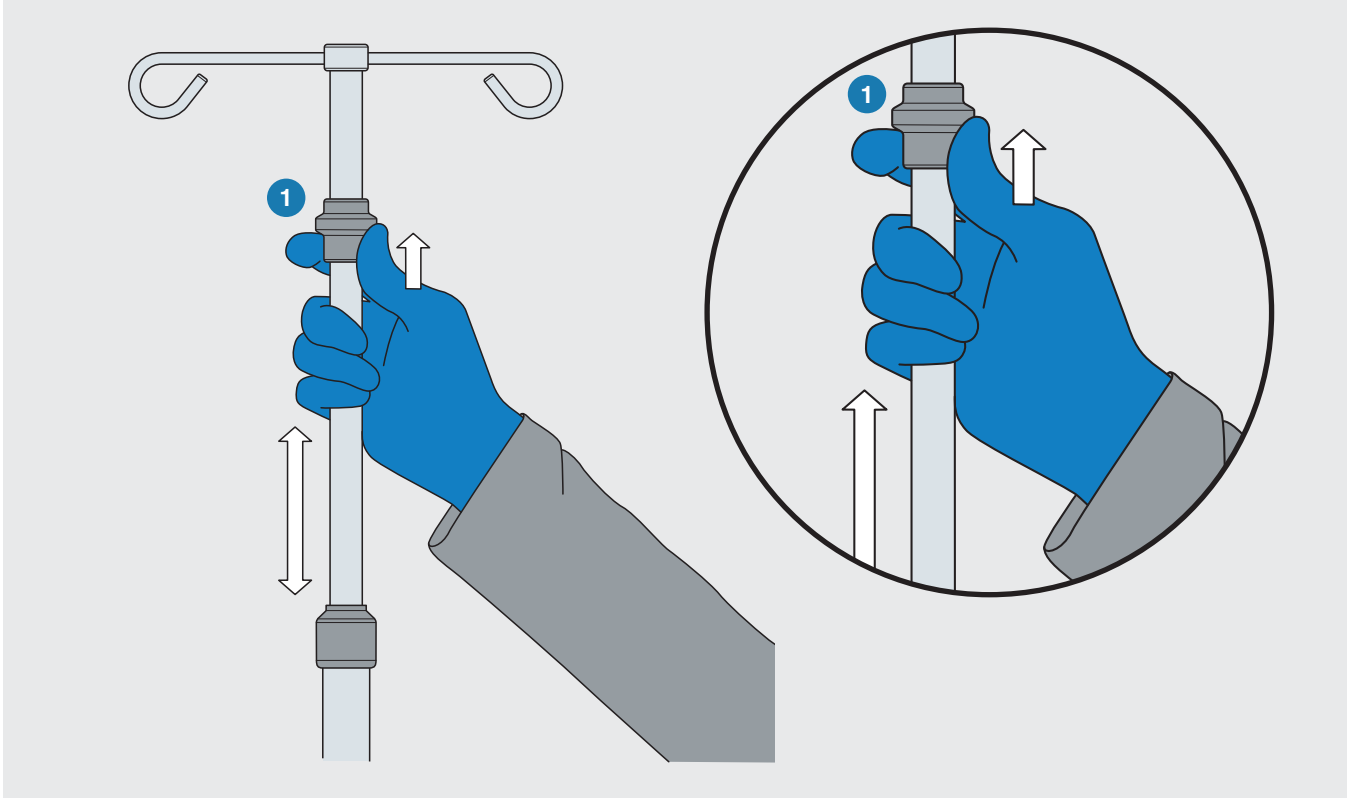


FIGURE 3: Slide the adjustment ring (1) up and raise or lower the pole to the desired height. Release the adjustment ring (1) to lock and secure the pole to the selected height.

4.4 Utility Basket

The utility basket is designed to house ancillary accessories and supplies. Ensure all supplies or accessories are fully contained within the basket prior to transport.

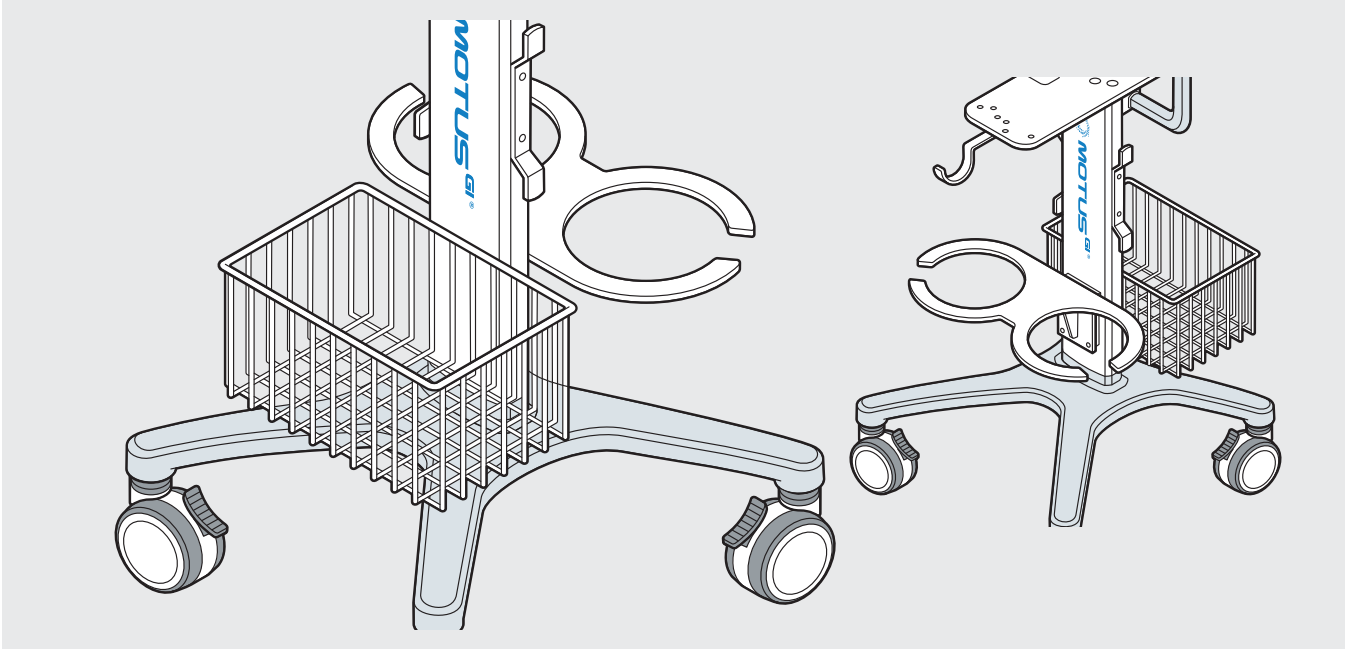


FIGURE 4: Endoscopy Cart Utility Basket

4.5 Transport Handle

The Endoscopy Cart contains one (1) ergonomic handle. To transport the Endoscopy Cart complete the following step:

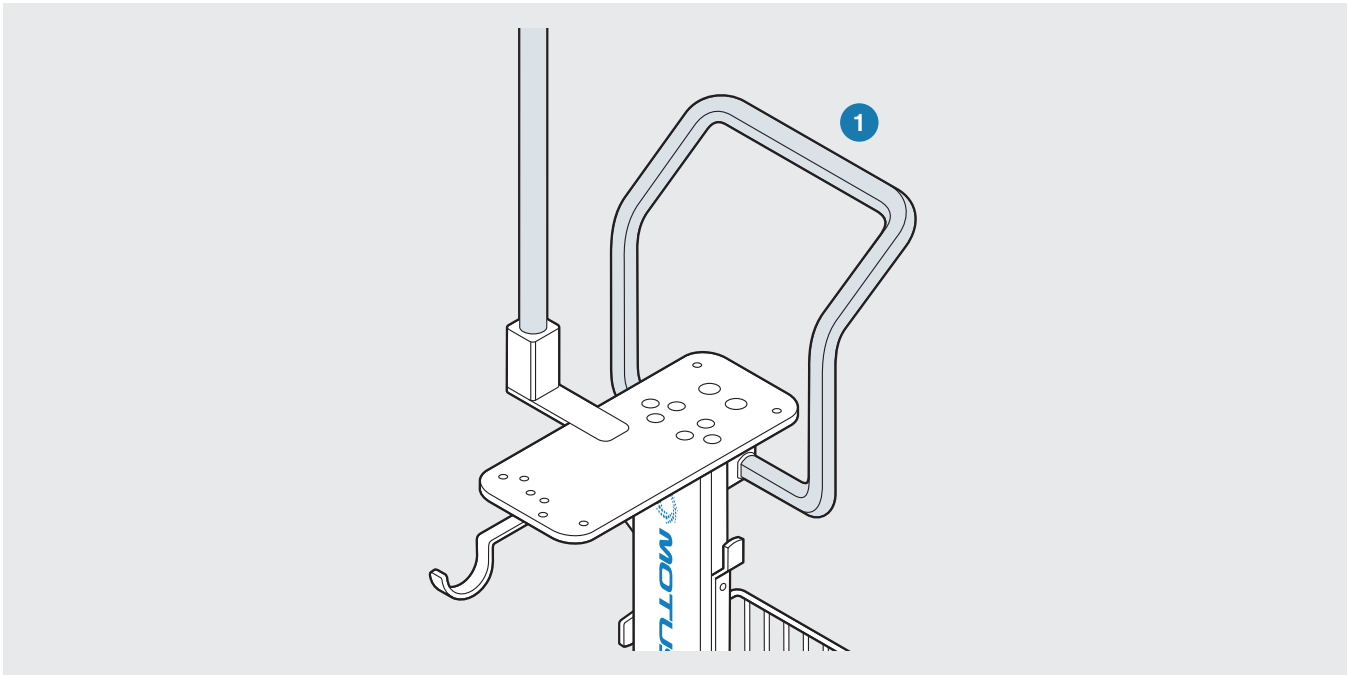


FIGURE 5: Place your hands on the transport handle (1) to move and maneuver the cart.

4.6 Accessory Hook

The accessory hook accommodates accessories and supplies. To place the hook in the centered front position complete the following steps:

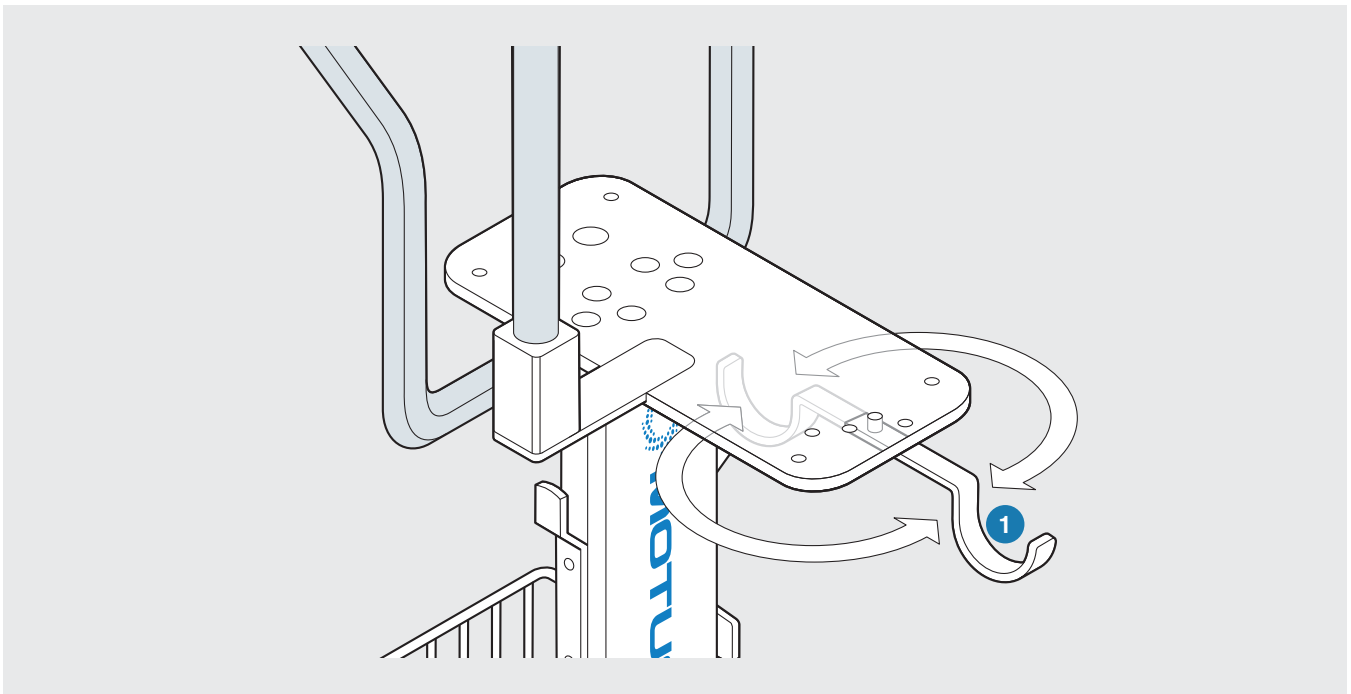


FIGURE 6: Rotate the hook (1) forward from underneath the support deck to center with the front of the cart. Rotate the hook (1) back for storage.

5.0 CLEANING THE ENDOSCOPY CART

The Endoscopy Cart should be cleaned prior to and after each procedure. Thoroughly wipe down the Endoscopy Cart with a viricidal cloth (Opti-cide, Cavicide or similar surface disinfectant of choice) that has an active ingredient of isopropyl alcohol (17% - 21%).

The Endoscopy Cart should be wiped down prior to removal from the procedure room or per facility protocol.

Recommendations for Proper Cleaning:

Use personal protective equipment to guard against dangerous chemicals and potentially infectious material, such as blood and mucous. Any potentially infectious material from the patient could pose an infection risk. During cleaning, wear appropriate protective equipment, such as eye wear, facemask, moisture-resistant clothing and chemical-resistant gloves that fit properly and are long enough so that your skin is not exposed.

Do not use harsh or abrasive materials on the Endoscopy Cart.

Ensure all surfaces are thoroughly dry before reusing the Endoscopy Cart.

6.0 MAINTENANCE & STORAGE

It is important to perform maintenance to ensure that the Endoscopy Cart remains in good and safe working condition. Safety cannot be guaranteed if maintenance is neglected.

Avoid contact of the caster wheels with debris as this will impair the effectiveness of the casters.

Periodically clean each caster wheel to remove material such as debris, cleaning wax and floor polish as these may impair the effectiveness of the casters.

If repairs are required, contact Motus GI personnel for service.

6.1 Inspection

Regular inspections are important to prevent risk to the user.

6.2 Storage

For storage, position the Endoscopy Cart on a flat surface and apply caster brakes. The Endoscopy Cart should never be stored in areas where the unit could be exposed to moisture, temperature extremes, humidity, direct sunlight, dust or salt, which could adversely affect the equipment.

7.0 TECHNICAL SPECIFICATIONS

PRODUCT NAME	EN-CRT-02-0 ENDOSCOPY CART
Dimensions	Height: 1510mm [60in] (Floor to IV pole in the lowest position) 1765mm [70in](Floor to IV pole in the highest position) 807mm [32in] (Floor to support deck) 1067mm [42in] (Floor to handle) Max depth (open casters to basket): 630mm [25in] Max width (open casters): 646mm [25.4in]
Weight	Cart : 18 kg [40lb]
Cart Max Load Capacity	40 kg [88lb]
Material	Chassis: Aluminum Canister Rings: Plastic IV Pole: Chrome Steel
Casters	Diameter= 100mm [4in]; four (4) swivel casters with brakes
IV Pole	Max load: two (2) irrigation bags 3L each Telescoping pole with locking adjustment ring
Utility Basket	Max load: 3 kg [6.6lb]

Pure-Vu® and Motus GI® are trademarks or registered trademarks of
Motus GI Holdings, Inc. ©2019

IU00005 REV.A



Motus GI Holdings, Inc.
1301 E. Broward Blvd.
Suite 310
Fort Lauderdale, FL 33301
Tel: 1.800.PUREVU1 (787.3881)
Fax: 1.954.541.8265