



Coda Octopus:3D

Real-Time Sonar Solutions

Comparison Manual

For the Echoscope® 3G and 4G Series

Echoscope 4G Series

- Latest generation of real-time 3D volumetric sonars
- Dual and Triple Frequency systems available
- Up to 4,000m depth rating
- Lighter, smaller form factor
- 100 mbs industry standard Ethernet capability
- 10 pin Subsea Connector
- **Same high resolution imaging**

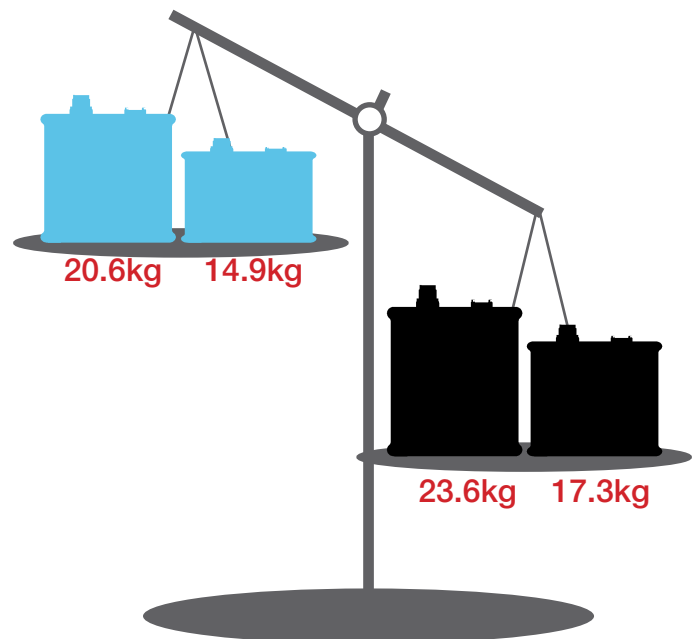
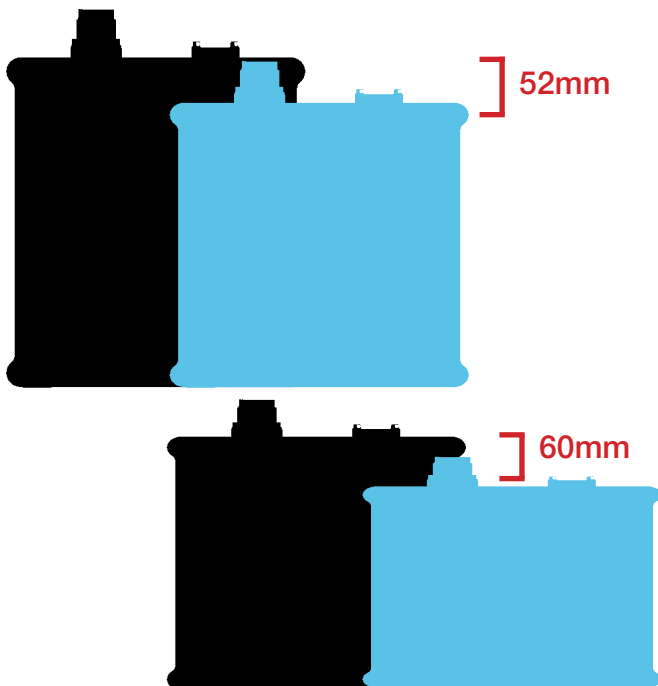


Echoscope 3G Series

- Previous generation of real-time 3D volumetric sonars
- Largest range of operating frequency available
- Up to 3,000m depth rating
- ZOOM feature capable
- Dedicated ethernet required
- 8 pin Subsea Connector
- **Same high resolution imaging**



SWaP Comparison



Copyright © 2019 Coda Octopus Products Ltd.
Issue 1.2 (5.19) The information in this publication was correct when it was published but specifications may change without notice. Photos are included for illustrative purposes only and actual items may differ in appearance. Coda Octopus does not assume responsibility for typographical or photographic errors. Echoscope[®], Echoscope[®], CodaOctopus[®] (Reg, Us Pat & TM off) are trademarks of Coda Octopus.



Coda Octopus:3D

Real-Time Sonar Solutions

Echoscope 4G Series

	Echoscope ^{4G}	Echoscope ^{4G} Surface	Echoscope ^{4G} C500	Echoscope ^{4G} C500 Surface
Frequency	375/ 630 kHz 240 kHz option	315/ 630 kHz 240 kHz option	375/630 kHz 240 kHz option	375/630 kHz 240 kHz option
Number of Beams	128 x 128 (16,384 total)	128 x 128 (16,384 total)	128 x 64 (8,192 total)	128 x 64 (8,192 total)
Angular Coverage	50° x 50°, 24° x 24° (standard) 90° x 44° (XD)	50°x 50°, 24°x 24° (standard) 90°x 44° (XD)	50° x 50°, 24° x 24° (standard) 90°x 44° (XD)	50° x 50°, 24° x 24° (standard) 90°x 44° (XD)
Depth Rating	250, 600, 3,000, and 4,000m 820-13,123ft	20m 65ft	250, 600, 3,000, and 4,000m 820-13,123ft	20m 65ft
Dimensions	328 x 300 x 145mm 12.9 x 11.8 x 5.7in	320 x 293 x 124mm 12.6 x 11.5 x 4.8in	232 x 300 x 147mm 9.1 x 11.8 x 5.8in	232 x 300 x 124mm 9.1 x 11.8 x 4.9in
Weight in Air	20.6kg/ 45.5lbs	11.5kg/ 25.4lbs	14.9kg/ 32.8lbs	9.4kg/ 20.7lbs
Weight in Water	10.9kg/ 24lbs	4kg/ 2.2lbs	8.0kg/ 17.6lbs	3.25kg/ 7.2lbs

Echoscope 3G Series

	Echoscope [®]	Echoscope [®] XD	Echoscope [®] C500
Frequency	375/610kHz with 340-700kHz Zoom option	240/375/610kHz with 340-700kHz Zoom option	375/610/630kHz
Number of Beams	128 x 128 (16,384 total)	128 x 128 (16,384 total)	128 x 64 (8,192 total)
Angular Coverage	50° x 50°, 24° x 24°, 24 x 50, 50 x 24, (standard) 55° x 55° to 20° x 20° software switchable (Zoom)	Rectangular: 90° x 44°, 50° x 24°, 24° x 50° Square: 55° x 55° to 20° x 20° software switchable	50° x 50°, 50° x 25°, 25° x 50°, 25° x 25° software switchable
Depth Rating	600-3,000m 1,968-9,840ft	600-3,000m 1,968-9,840ft	600-3,000m 1,968-9,840ft
Dimensions	380 x 300 x 160mm 15 x 11.8 x 6.3in	380 x 300 x 160mm 15 x 11.8 x 6.3in	292 x 300 x 171.5mm 11.5 x 11.8 x 6.75in
Weight in Air	23.6kg/ 52lbs	24.6kg/ 54lbs	17.3kg/ 38lbs
Weight in Water	13kg/ 28lbs	13.4kg/ 29lbs	7.5kg/ 16.5lbs

Zoom Features

Included in this table are the depth, range, and angular coverage the Zoom feature provides each sonar.

Note: This feature is currently **only** available on our 3G series of sonars.

4G Performance Pack Capable Systems Features:

Listed below are the features of the 4G Performance Pack. Some 3G sonars are compatible with the 4G performance pack, depending on the year of build of the unit. Please email sales@codaoctopus.com to verify its viability.

- Up to 20Hz Ping Rate
- Interleaving "Ping Pong" Mode
- Configurable TVG options
- 100Mbps Industry Standard Ethernet compatibility
- 0.5m minimum range
- 10 Pin Subsea Connector