

# C1000S Power Package

## Liquid Fuels



The Signature Series Microturbine provides 1MW of reliable electrical power in one small, ultra-low emission, and highly efficient package.

- + Ultra-low emissions
- + One moving part – minimal maintenance and downtime
- + Patented air bearings – no lubricating oil or coolant
- + Integrated utility synchronization – no external switchgear
- + Compact modular design allows for easy, low-cost installation
- + High electrical efficiency over a very wide operating range
- + High availability – part load redundancy
- + Remote monitoring and diagnostic capabilities
- + Proven technology with tens of millions of operating hours
- + Various Factory Protection Plans available



C1000S Power Package

### Electrical Performance<sup>(1)</sup>

Electrical Power Output	950kW
Voltage	400/480 VAC
Electrical Service	3-Phase, 4 Wire Wye
Frequency	50/60 Hz
Electrical Efficiency LHV	31%

### Fuel/Engine Characteristics<sup>(1)</sup>

Liquid Fuels	Diesel (ASTM D975-13, No. 2-D, S15)
Inlet Pressure	3.4–34.5 kPa gauge (0.5–5.0 psig)
Fuel Flow HHV	12,150 MJ/hr (11,500,000 BTU/hr)
Net Heat Rate LHV	11.6 MJ/kWh (11,000 BTU/kWh)

### Exhaust Characteristics<sup>(1)</sup>

Exhaust Mass Flow	6.7 kg/s (14.7 lbm/s)
Exhaust Gas Temperature	280°C (535°F)

### Dimensions & Weight<sup>(2)</sup>

Width x Depth x Height	3.0 x 9.1 x 3.0 m (117 x 360 x 119 in)
Weight - Grid Connect Model	18,500 kg (40,700 lbs)
Weight - Dual Mode Model	22,000 kg (48,500 lbs)

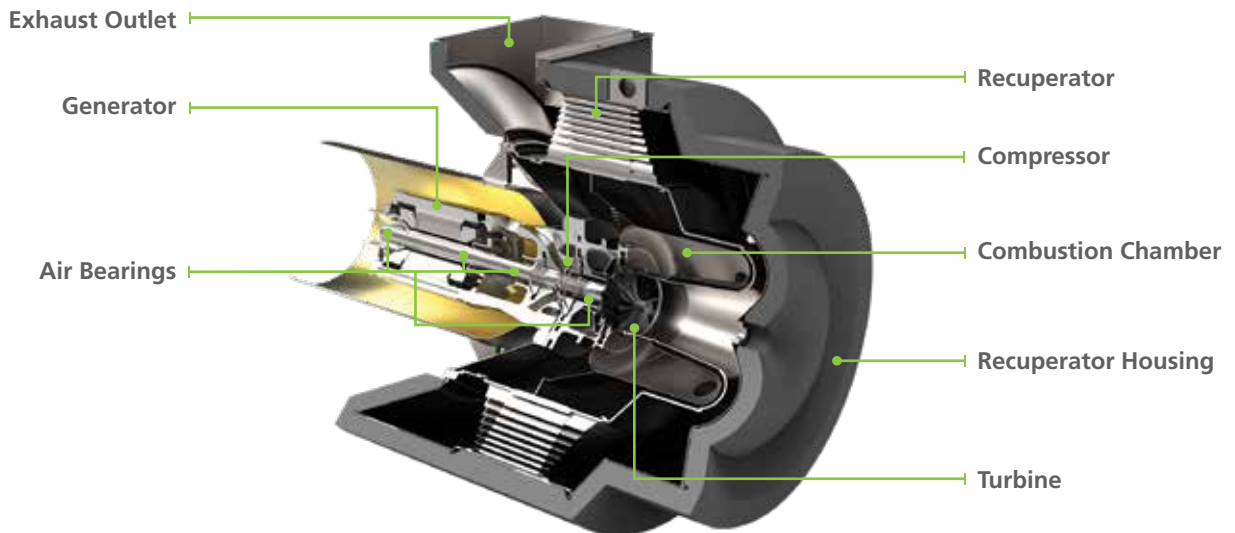
## Minimum Clearance Requirements<sup>(3)</sup>

Horizontal Clearance	
Left	1.5 m (60 in)
Right	0.0 m (0 in)
Front	1.7 m (65 in)
Rear	2.2 m (85 in)

## Certifications

- Certified to the following grid interconnection standards: UL 1741

## C200 Engine Components



(1) Nominal full power performance at ISO conditions: 15°C (59°F), 14.696 psia, 60% RH

(2) Approximate dimensions and weights

(3) Clearance requirements may increase due to local code considerations

*Specifications are not warranted and are subject to change without notice.*

